



Catalogue

Window reinforcements

As leading manufacturer of steel profiles in Poland, including window reinforcement profiles, **MFO S.A.** is a renowned market player in Europe and overseas. The company owns high capacity storage and production facilities and prides itself on one of the most modern machine parks in Poland. The machine park comprises i.a. three “DREISTERN” production lines with multiple processing stations, including pre- and post- punching systems. The modern machine park and high quality material enable the production of very complicated shapes with the highest qualitative characteristics and dimensional parameters. Our profiles are produced according to individual documentation as prepared by the customer or basing on documentation supplied by our technical department. With our advanced technologies MFO has been able to automate the process of profiles branding and packaging. MFO offers its customers the highest quality products complying with strictest standards, including the EU standards. 2005 the renowned Swiss company SGS accredited by the British UKAS certified MFO with ISO 9001.

[We proudly present a selection from our product range!](#)

Window reinforcements

Why do we have a good profile?

The figures speak for themselves:

- 4 000 000 m of profiles on stock
- 45 000 m² of warehousing area
- 15 000 tones of monthly processed steel
- 1600 different shapes in our program
- 670 customers worldwide
- 350 qualified employees
- 50 countries on 6 continents with regular deliveries
- Around the clock production
- 25 account managers at your disposal
- 26 modern production lines
- 4 lines with pre- and post-punching systems
- Market leader in Poland, we work with the biggest window manufacturers in Europe

Product application

- PVC window and door reinforcements

Material used for production:

- Galvanised steel for cold processing delivered according to standard PN-EN 10346

Product range

- Window reinforcements for all PVC window systems on the market: Aluplast, Decco, Deceuninck, Gealan, Profine, Rehau, Salamander, Veka, Wital

Technology

- R&D department enabling the development of each profile on the individual customer's order.
- We implement an average of 100 per year new profiles

Quality

- Production according to company system procedures and the strictest European quality standards, including the PN EN ISO 9001, PN EN 10162.
- Quality confirmed by the CSTB institute
- Quality control procedures and the product quality itself is verified by the independent research and certification institute – Zespół Ośrodków Kwalifikacji Jakości Wytrobów SIMPTST.
- Material for production is supplied to us by European steel mills, which guarantees the highest quality of the finished products

We offer

- Complex commercial offer and a broad product range
- Modern machine park
- High quality products renowned on demanding EU-markets
- High storage capacity
- Possibility of quarterly orders, which ensure price stability,
- Availability of material and quick delivery
- Wide geographical diversification of sales both in Poland and abroad

- Logistic experience in national and international transport, also maritime
- Own R&D Department will design profile according to the customer's request.
- Short delivery time

Our strengths

- For 16 years in a row, Centrum Analiz Biznesowych (CAB) has confirmed our stable leading position in the production of window reinforcements on both domestic and international markets
- Continuous investment in development and machinery: investments 2022-2024: 85-120 million PLN
- Laboratory for hardness testing of steel
- R&D Department

Additional services

Adaptation of packaging for automatic systems.

At the customer's request, we are able to adapt the packaging to individual customer preferences:

- package size
- special labels, e.g. RFID
- profile marking

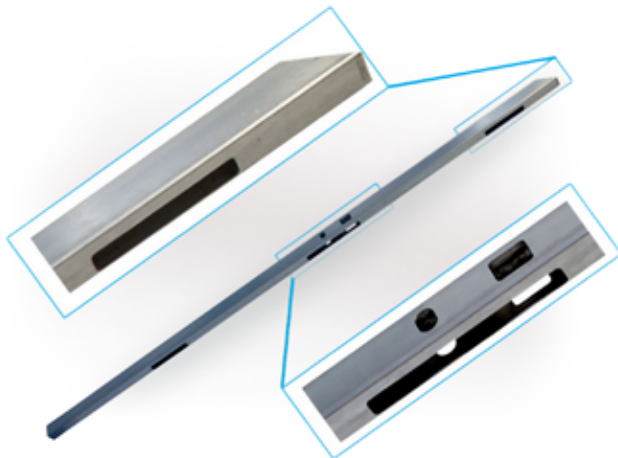
Cutting service

- Standard 5.85; 6; 6.5 m
- On demand from 0.25 m

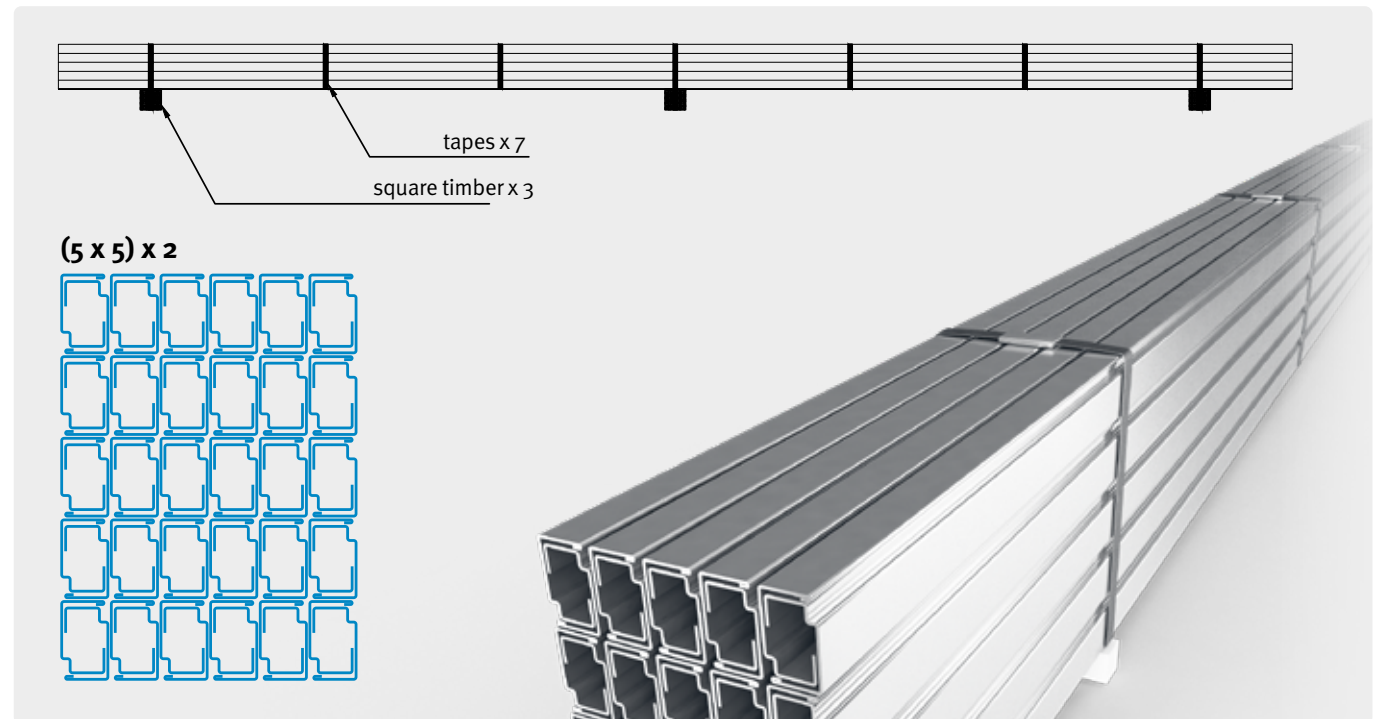
Laser processing and cutting technology

– Trumpf TruLaser 5000

- Possibility of cutting shape in the profile – according to the customer's drawing.
- The cut-outs by laser are highly precise and meet the highest standards.
- Steel reinforcement profiles with or without mitre cut



Product packaging



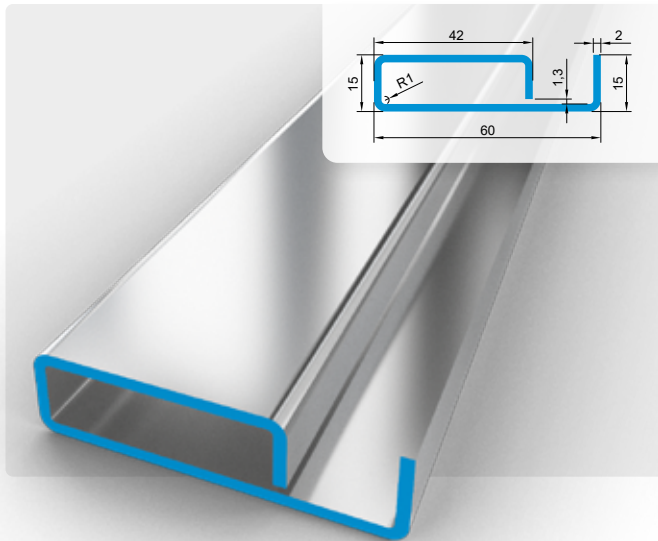
Profiles manufactured by MFO are packed in packages

Materials used for packaging:

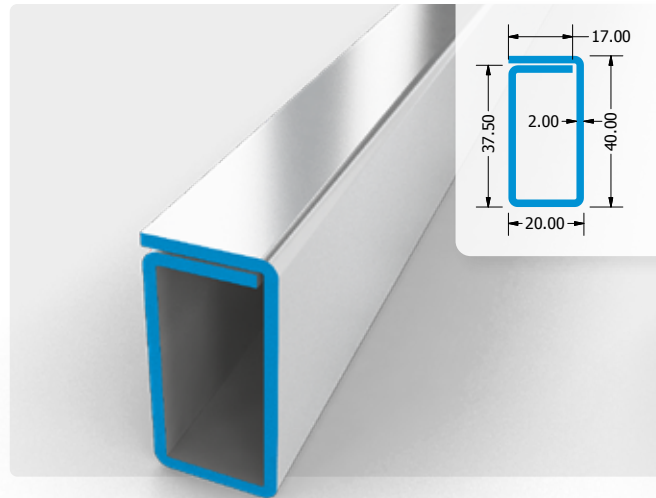
- PET tape
- wooden blocks,
- euro pallets
- other packaging materials according to customer's order

Salamander

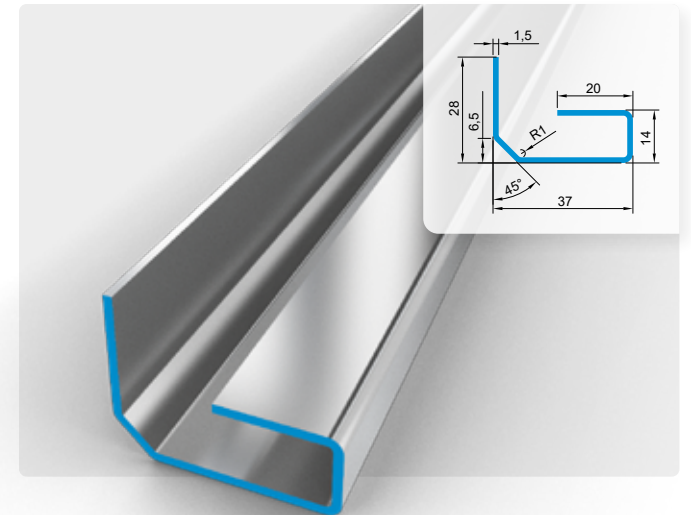
Salamander 465.012-074



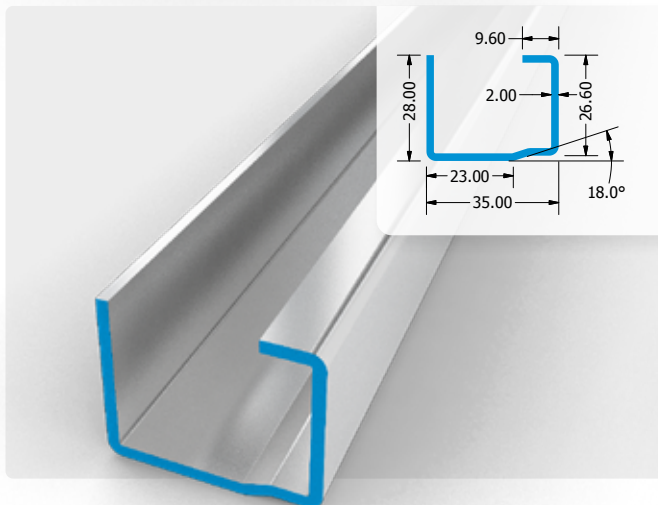
Salamander 415.020-074



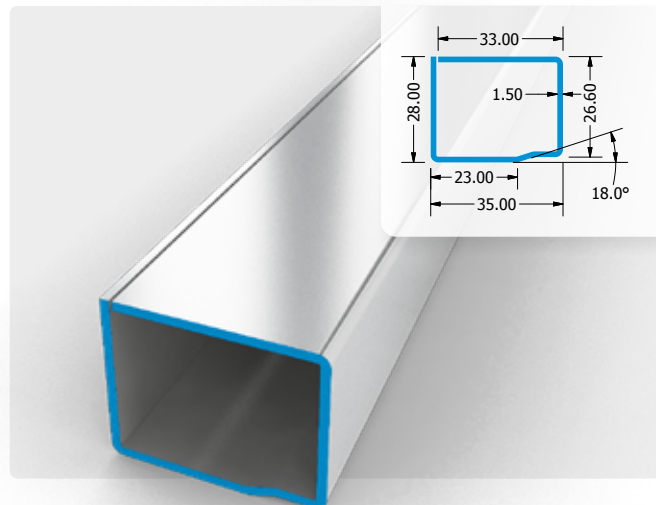
Salamander 465.023-073



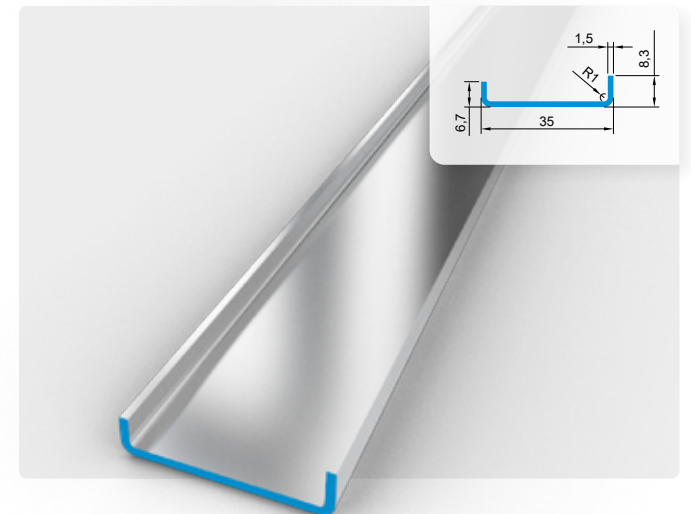
Salamander 455.230-074



Salamander 455.235-073



Salamander 655.025-073



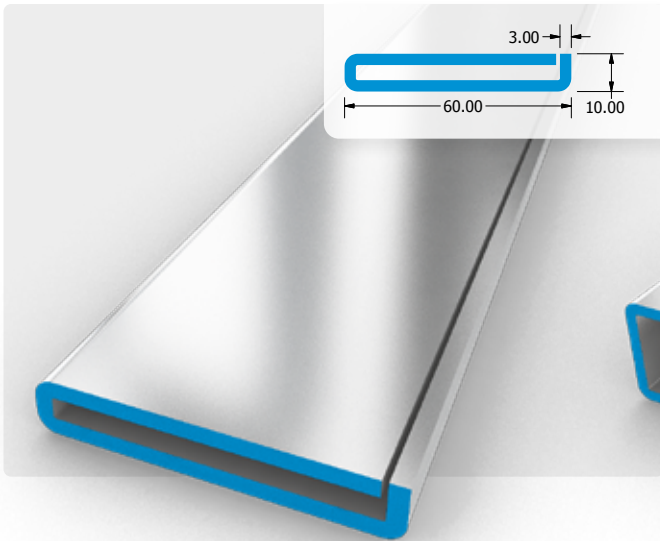
Salamander

No.	Symbol	Dimensions (mm)	Thickness (mm)
1	105011-073	30/20/18.2	1.50
2	215025-073	20.9/30/28/4	1.50
3	215120-074	20/45/17	2.00
4	405015-074	10/50	2.00
5	405015-073	10/50	1.50
6	405060-073	40/40/38.2	1.50
7	415020-074	37.5/20/40/20	2.00
8	415135-073	15/55/17	1.50
9	445020-073	18/35	1.50
10	445020-074	18/35	2.00
11	445030-074	30/35	2.00
12	445230-074	35/27/24.7	2.00
13	455230-073	9.6/35/26.6	1.50

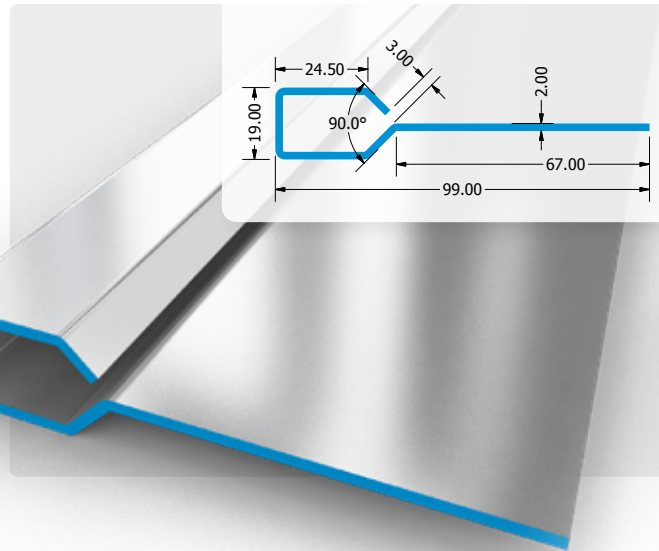
No.	Symbol	Dimensions (mm)	Thickness (mm)
14	455230-074	9.6/35/26.6	2.00
15	455235-073	35/28/23/26.6	1.50
16	455235-074	35/28/23/26.6	2.00
17	465001-073	27/30/27	1.50
18	465001-074	27/30/27	2.00
19	465002-073	30/27	1.50
20	465002-074	30/27	2.00
21	465006-073	39/27/24.5/10/6.5	1.50
22	465006-074	39/27/24.5/10/6.5	2.00
23	465012-074	60/15/42/15	2.00
24	465023-073	37/28/14/20	1.50
25	465024-073	27/24/27	1.50
26	475200-073	9.6/28/37	1.50

Brüggmann

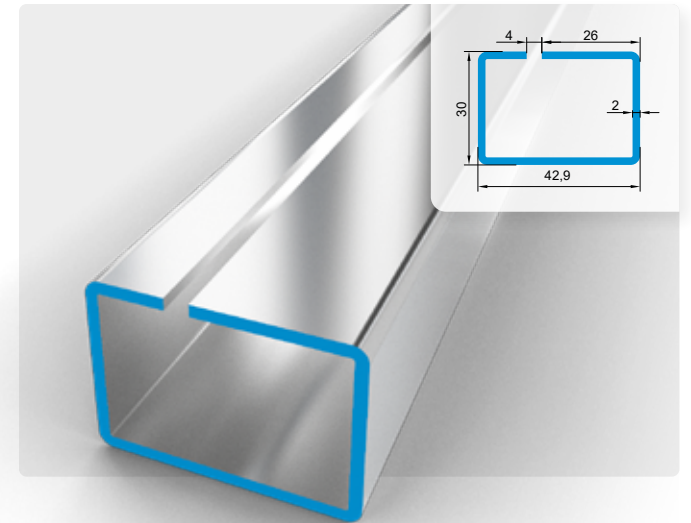
Brüggmann VS 0130



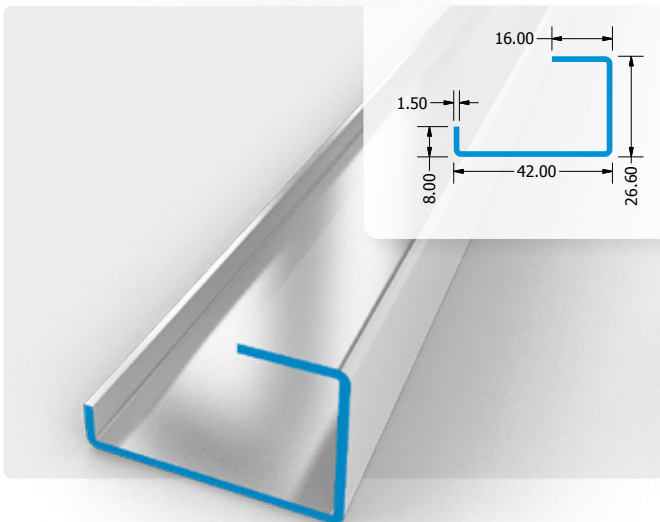
Brüggmann VS 0140



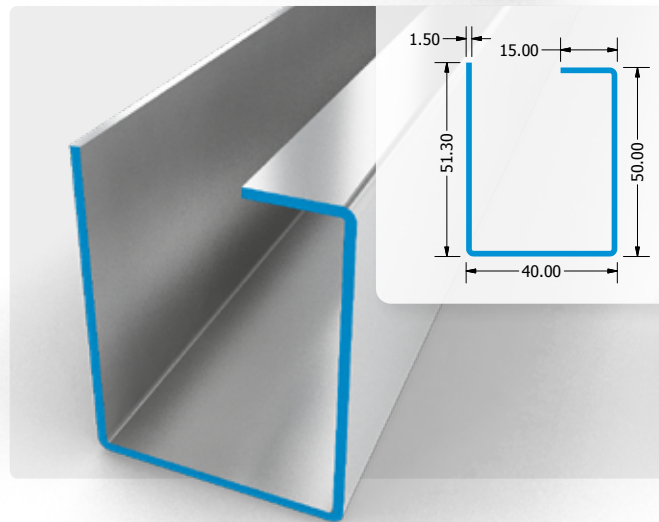
Brüggmann VS 9800



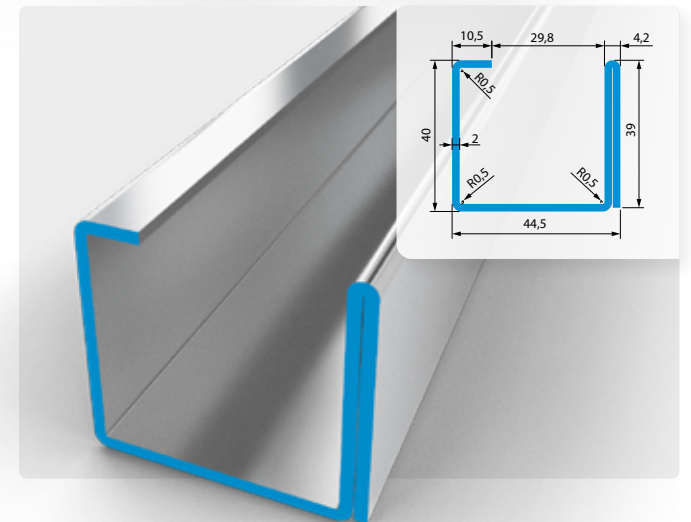
Brüggmann VS 1020



Brüggmann VS 1030



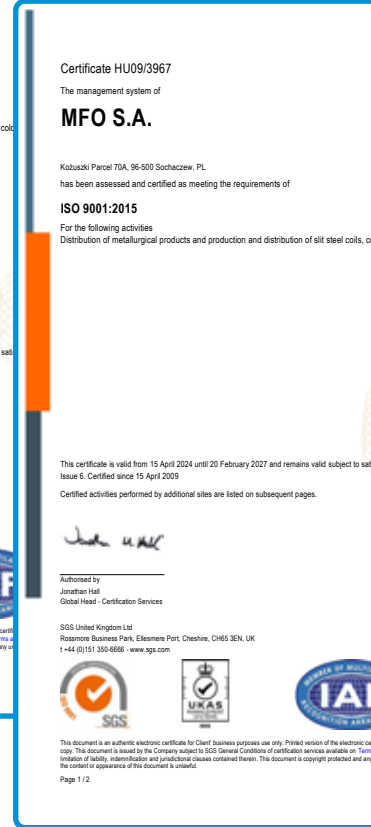
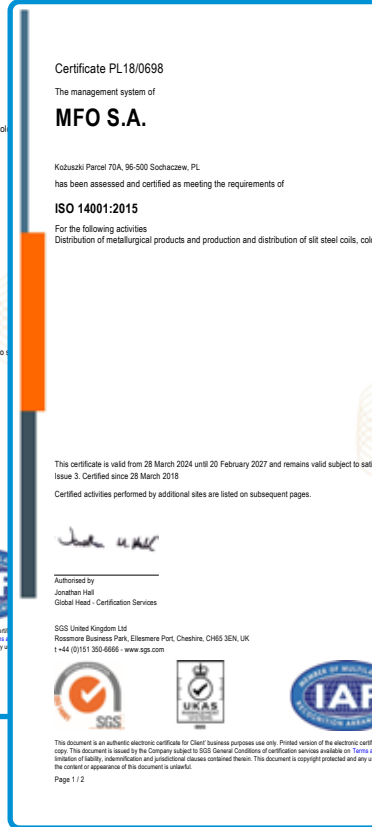
Brüggmann VS 9600



Brüggmann

No.	Symbol	Dimensions (mm)	Thickness (mm)
1	VS 0130	10/60/56	3.00
2	VS 0140-074	24.5/19/99	2.00
3	VS 1010-073	7/42/18.6/16	1.50
4	VS 1020-073	8/42/26.6/16	1.50
5	VS 1030-073	15/50/40/51.3	1.50
6	VS 1050-073	28.6/39.8/26.6	1.50
7	VS 1050-074	28.6/39.8/26.6	2.00
8	VS 1120-072	8/42/26.6/16	1.25
9	VS 1200-073	15/23.8/15	1.50
10	VS 1410	36.5/30	1.50
11	VS 3020-074	25/40	2.00
12	VS 3030	35/40	2.00
13	VS 3040-074	50/50	2.00
14	VS 3400	20/75	1.50
15	VS 4020	15/40	2.00

No.	Symbol	Dimensions (mm)	Thickness (mm)
16	VS 8020-073	26/30/26	1.50
17	VS 8020-074	26/30/26	2.00
18	VS 8030	13.5/46.9/40/58.4	1.50
19	VS 8050-074	26/35.2/26/8.3	2.00
20	VS 8140-074	24.5/19/76/108	2.00
21	VS 8230-073	30.6/40/30.6	1.50
22	VS 8320	20/37	2.00
23	VS 8520-073	7.2/36.7/26/9	1.50
24	VS 8620-074	7.2/36.7/26/23	2.00
25	VS 9600-074	44.5/40/29.9/10.5	2.00
26	VS 9800	4/30/42.9/26	2.00
27	VS 9810-074	10/40	2.00
28	VS8450-074	40/45	2.00
29	VS9060-074	59/35/26/10.2	2.00



MFO S.A.
Kozuski Parcel 70A
96-500 Sochaczew, Poland
T: +48 46 864 09 80
@: mfo@mfo.pl
www.mfo.pl

