



Catalogue

Window reinforcements

As leading manufacturer of steel profiles in Poland, including window reinforcement profiles, **MFO S.A.** is a renowned market player in Europe and overseas. The company owns high capacity storage and production facilities and prides itself on one of the most modern machine parks in Poland. The machine park comprises i.a. three “DREISTERN” production lines with multiple processing stations, including pre- and post- punching systems. The modern machine park and high quality material enable the production of very complicated shapes with the highest qualitative characteristics and dimensional parameters. Our profiles are produced according to individual documentation as prepared by the customer or basing on documentation supplied by our technical department. With our advanced technologies MFO has been able to automate the process of profiles branding and packaging. MFO offers its customers the highest quality products complying with strictest standards, including the EU standards. 2005 the renowned Swiss company SGS accredited by the British UKAS certified MFO with ISO 9001.

[We proudly present a selection from our product range!](#)

Window reinforcements

Why do we have a good profile?

The figures speak for themselves:

- 4 000 000 m of profiles on stock
- 45 000 m² of warehousing area
- 15 000 tones of monthly processed steel
- 1600 different shapes in our program
- 670 customers worldwide
- 350 qualified employees
- 50 countries on 6 continents with regular deliveries
- Around the clock production
- 25 account managers at your disposal
- 26 modern production lines
- 4 lines with pre- and post-punching systems
- Market leader in Poland, we work with the biggest window manufacturers in Europe

Product application

- PVC window and door reinforcements

Material used for production:

- Galvanised steel for cold processing delivered according to standard PN-EN 10346

Product range

- Window reinforcements for all PVC window systems on the market: Aluplast, Decco, Deceuninck, Gealan, Profine, Rehau, Salamander, Veka, Wital

Technology

- R&D department enabling the development of each profile on the individual customer's order.
- We implement an average of 100 per year new profiles

Quality

- Production according to company system procedures and the strictest European quality standards, including the PN EN ISO 9001, PN EN 10162.
- Quality confirmed by the CSTB institute
- Quality control procedures and the product quality itself is verified by the independent research and certification institute – Zespół Ośrodków Kwalifikacji Jakości Wyrobów SIMPTST.
- Material for production is supplied to us by European steel mills, which guarantees the highest quality of the finished products

We offer

- Complex commercial offer and a broad product range
- Modern machine park
- High quality products renowned on demanding EU-markets
- High storage capacity
- Possibility of quarterly orders, which ensure price stability,
- Availability of material and quick delivery
- Wide geographical diversification of sales both in Poland and abroad

- Logistic experience in national and international transport, also maritime
- Own R&D Department will design profile according to the customer's request.
- Short delivery time

Our strengths

- For 16 years in a row, Centrum Analiz Biznesowych (CAB) has confirmed our stable leading position in the production of window reinforcements on both domestic and international markets
- Continuous investment in development and machinery: investments 2022-2024: 85-120 million PLN
- Laboratory for hardness testing of steel
- R&D Department

Additional services

Adaptation of packaging for automatic systems.

At the customer's request, we are able to adapt the packaging to individual customer preferences:

- package size
- special labels, e.g. RFID
- profile marking

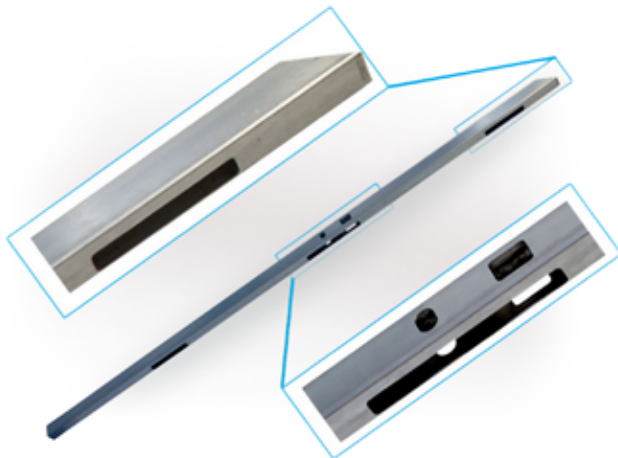
Cutting service

- Standard 5.85; 6; 6.5 m
- On demand from 0.25 m

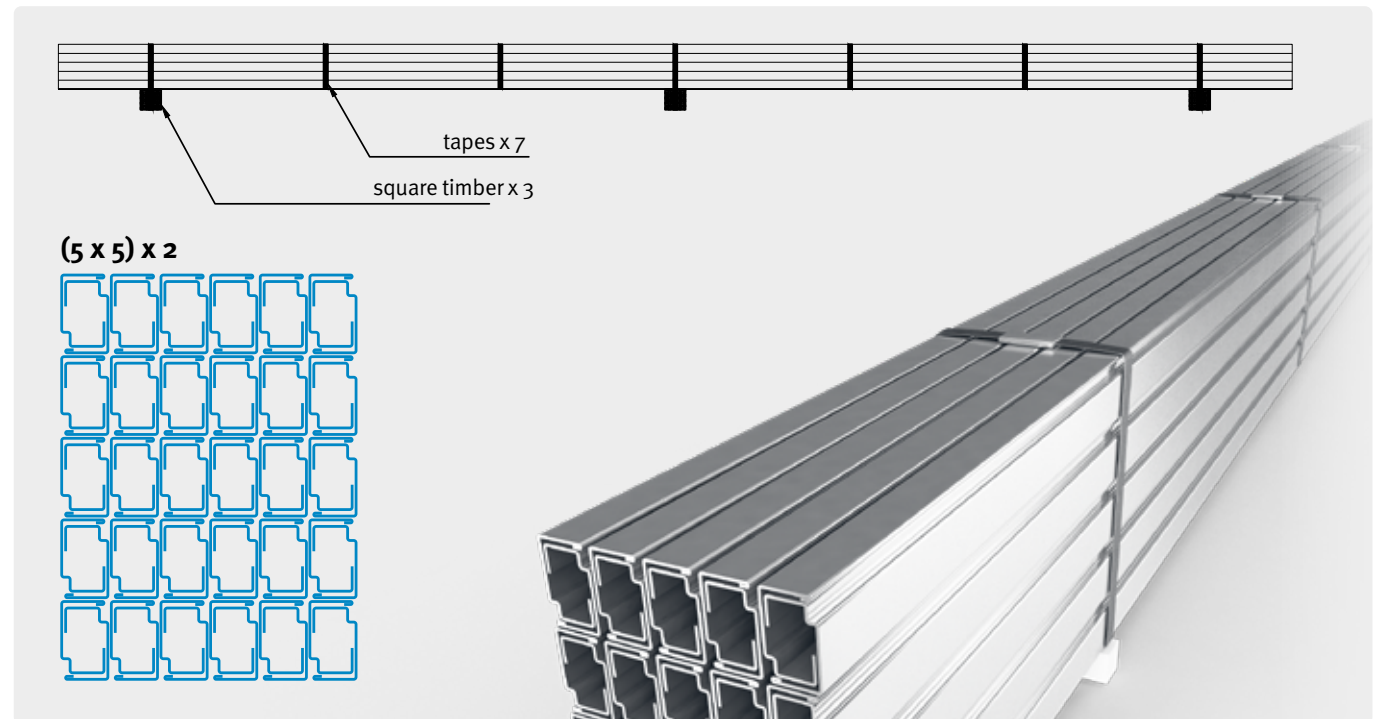
Laser processing and cutting technology

– Trumpf TruLaser 5000

- Possibility of cutting shape in the profile – according to the customer's drawing.
- The cut-outs by laser are highly precise and meet the highest standards.
- Steel reinforcement profiles with or without mitre cut



Product packaging



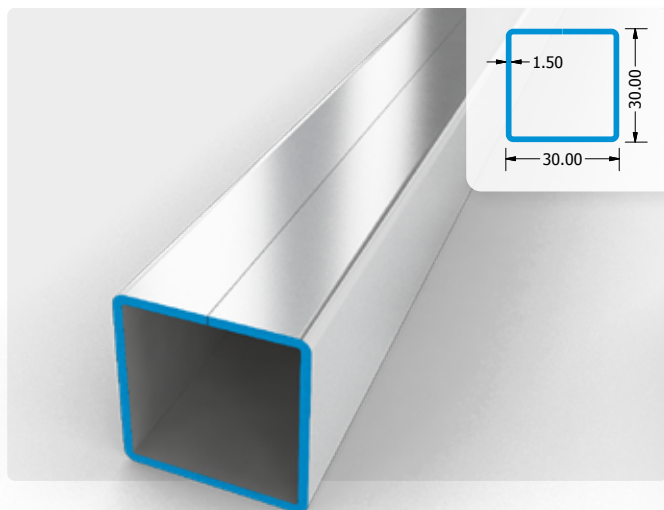
Profiles manufactured by MFO are packed in packages

Materials used for packaging:

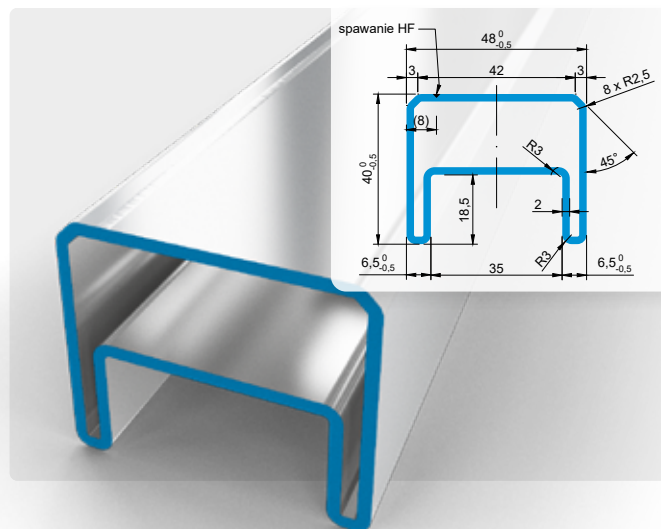
- PET tape
- wooden blocks,
- euro pallets
- other packaging materials according to customer's order

Veka

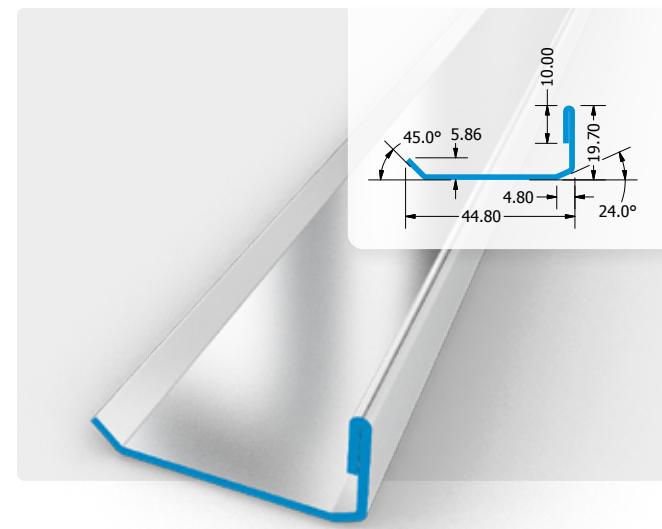
Veka 113.025



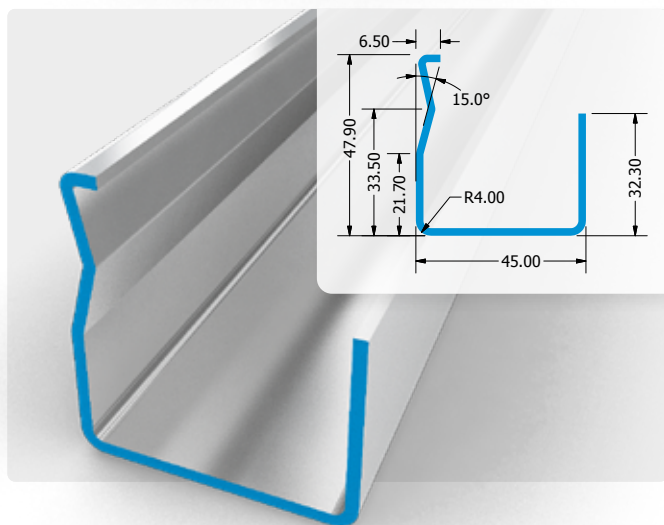
Veka 113.449



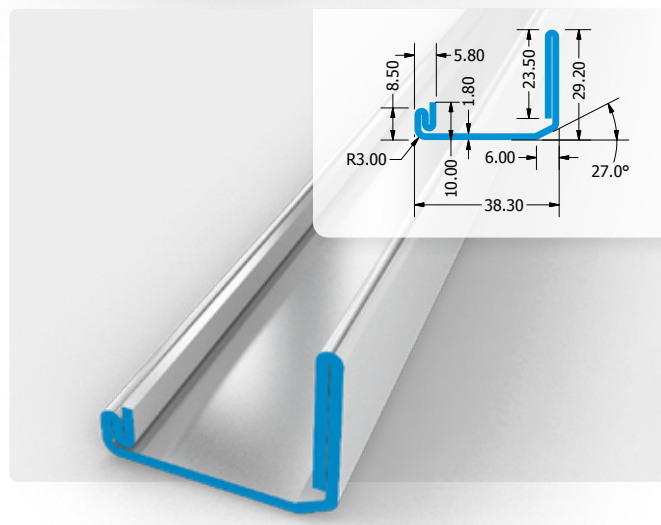
Veka 113.269



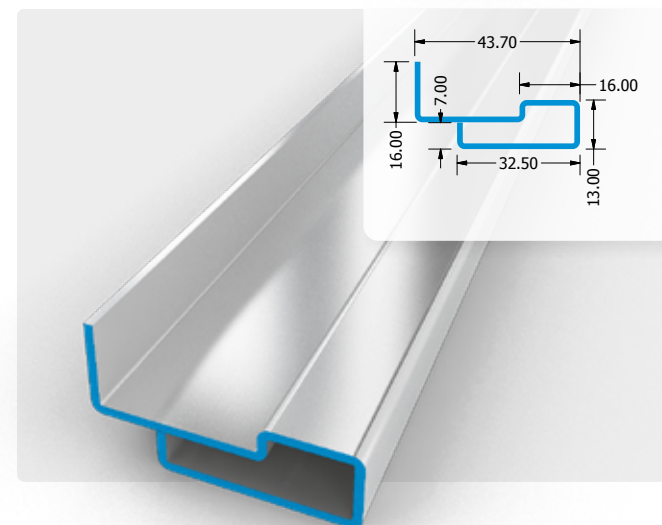
Veka 113.270



Veka 113.294



Veka 113.312



Veka

No.	Symbol	Dimensions (mm)	Thickness (mm)
1	113.001	40/30	1.5
2	113.002	25/30	1.5
3	113.010	36/27	1.5
4	113.013	50/10	1.5
5	113.019	30/20	1.5
6	113.020	30/10	1.5
7	113.023	38.8/29.7	1.5
8	113.024	30/30/15	1.5
9	113.025	30/30	1.25
10	113.025	30/30	1.5
11	113.025	30/30	2
12	113.025.3	30/30	3
13	113.028	40/10	1.5
14	113.031	6.5/33/6.5	2
15	113.034	36.5/30/36.5	2
16	113.043	52/30/52	2
17	113.046	30/50	1.5
18	113.055	29/29	1.5
19	113.059	29.7/38.8	1.5
20	113.073	38/15	1.5
21	113.117	34/34.5	1.5
22	113.149	9.5/80	2
23	113.269	19.7/44.8	1.5
24	113.270	32.3/45/47.9	1.5
25	113.270	32.3/45/47.9	2
26	113.271	30/38	1.5
27	113.271	30/38	2
28	113.272	20/38	1.5

No.	Symbol	Dimensions (mm)	Thickness (mm)
29	113.280.1	38.8/17.7	1.5
30	113.280.2	38.8/17.7	2
31	113.280.3	38.8/17.7	2.5
32	113.281.2	40/40	2
33	113.283.3	0 48.2	2.5
34	113.286	65/45	2
35	113.286.3	65/45	3
36	113.292	29.7/38.8	1.25
37	113.292	29.7/38.8	1.5
38	113.293	15/29.7/45.1	1.5
39	113.294	38.3/29.2/	1.8
40	113.295	45.1/29.7	1.5
41	113.306	34.5/34	1.5
42	113.311	32.8/38.8	1.5
43	113.311.1	32.8/38.8	1.8
44	113.312	35.2/13	1.5
45	113.350	11.7/42	2
46	113.362	6/17.6/6	1.5
47	113.365	30/30/30	1.5
48	113.370.15N	11.7/19.7/41.5/19	1.5
49	113.370.51	9/29.5/41.5/5	1.5
50	113.370.52	9/29.5/41.5/5/4.4	1.5
51	113.370.53	22/29.5/41.5/20	1.5
52	113.370.75	22/29.5/42/20/12	1.75
53	113.371.15	16/19.7/43.2/4.7	1.5
54	113.371.20	15/19.7/43.2/6.7	2
55	113.582	10/25	1.5

Ośrodek Badań i Certyfikacji SIMPTESTCERT Sp. z o.o. Zakład Certyfikacji
40-045 KATOWICE al. Astrów 10
tel. +48 32 209905, +48 32 209912
e-mail: osrodek@simptestcert.pl www.simptestcert.pl

Certyfikat zgodności zakładowej konstrukcji 1458-CPR-FPC-196

Zgodnie z Rozporządzeniem Parlamentu Europejskiego i Rady (UE) Nr 305/2011 (CPR), niniejszy certyfikat odnosi się do wyrobów budowlanych:

Profilowane na zimno stalowe elementy konstrukcyjne w klasie wykonania EXC1, EXC2, EXC3

Zakres produkcji według Załącznika nr Z-1 stanowiącym integralną część niniejszego certyfikatu

wytworzonego do czasu podjęcia lub zakończenia prac:

MFO SPÓŁKA AKCYJNA KOZUSZKI PARCEL 70A 96-500 SOCHACZEW

I produkowanego w zakładzie produkcyjnym:

MFO SPÓŁKA AKCYJNA KOZUSZKI PARCEL 70A 96-500 SOCHACZEW

Niniejszy certyfikat potwierdza, że wszystkie postanowienia dotyczącej oceny i weryfikacji zostały spełnione w zakresie ZA normy:

EN 1090-1:2009+A1:2011

w ramach systemu 2+ zgodnym z normą:

zakładowa kontrola produkcji spełnia wymagania

Niniejszy certyfikat został wydany na podstawie danych z dnia 09 lutego 2023 r. i jest ważny do dnia 09 lutego 2027 r. Wszelkie zmiany w zakresie oceny i weryfikacji należy zgłaszać do wydawcy niniejszego certyfikatu. Niniejszy certyfikat jest ważny do dnia 09 lutego 2027 r. i jest ważny do dnia 09 lutego 2027 r. Wszelkie zmiany w zakresie oceny i weryfikacji należy zgłaszać do wydawcy niniejszego certyfikatu.

Dyrektor ds. Certyfikacji
mgr inż. Wojciech Śniado

Katowice, dnia 09 lutego 2023 r.

Certificate PL21/1530
The management system of
MFO S.A.

Kozuski Parcel 70A, 96-500 Sochaczew, PL
has been assessed and certified as meeting the requirements of
ISO 45001:2018
For the following activities
Distribution of metallurgical products and production and distribution of silt steel coils, coils

This certificate is valid from 21 February 2024 until 20 February 2027 and remains valid subject to Issue 2. Certified since 21 February 2021
Certified activities performed by additional sites are listed on subsequent pages.

Authorized by
Jonathan Hall
Global Head - Certification Services

SGS United Kingdom Ltd
Rossmore Business Park, Ellesmere Port, Cheshire, CH65 3EN, UK
t +44 (0)151 350 6666 - www.sgs.com

Certificate PL18/0698
The management system of
MFO S.A.

Kozuski Parcel 70A, 96-500 Sochaczew, PL
has been assessed and certified as meeting the requirements of
ISO 14001:2015
For the following activities
Distribution of metallurgical products and production and distribution of silt steel coils, coils

This certificate is valid from 28 March 2024 until 20 February 2027 and remains valid subject to Issue 3. Certified since 28 March 2018
Certified activities performed by additional sites are listed on subsequent pages.

Authorized by
Jonathan Hall
Global Head - Certification Services

SGS United Kingdom Ltd
Rossmore Business Park, Ellesmere Port, Cheshire, CH65 3EN, UK
t +44 (0)151 350 6666 - www.sgs.com

Certificate HU09/3967
The management system of
MFO S.A.

Kozuski Parcel 70A, 96-500 Sochaczew, PL
has been assessed and certified as meeting the requirements of
ISO 9001:2015
For the following activities
Distribution of metallurgical products and production and distribution of silt steel coils, coils

This certificate is valid from 15 April 2024 until 20 February 2027 and remains valid subject to Issue 6. Certified since 15 April 2009
Certified activities performed by additional sites are listed on subsequent pages.

Authorized by
Jonathan Hall
Global Head - Certification Services

SGS United Kingdom Ltd
Rossmore Business Park, Ellesmere Port, Cheshire, CH65 3EN, UK
t +44 (0)151 350 6666 - www.sgs.com

CSTB / **Organisme certificateur Certification body**
le futur en construction

Certificat

Renforts acier pour produits de la baie
Baies, portes, vérandas et accessoires

Le CSTB atteste que les produits mentionnés dans ce certificat sont conformes aux caractéristiques décrites dans le référentiel de certification QB « Renforts acier pour produits de la baie » (QB4) en vigueur après évaluation selon les modalités de contrôle définies dans ce référentiel.

En vertu de la présente décision, le CSTB accorde à :

la société **MFO S.A. 70A UL. KOZUSZKI-PARCEL PL-96500 SOCHACZEW**

usine : **MFO S.A. PL-96500 SOCHACZEW**

Le droit d'usage de la marque QB « Renforts acier pour produits de la baie » pour les produits objets de cette décision, pour toute sa durée de validité et dans les conditions prévues par les exigences générales de la marque QB et le référentiel mentionné ci-dessus.

Décision d'extension n° 1021-11 du 12 mai 2023
Cette décision se substitue à la décision d'extension n° 1018-11 du 3 avril 2023
Le certificat en vigueur peut être consulté sur le site internet <https://evaluation.cstb.fr> pour en vérifier sa validité.

CARACTÉRISTIQUES CERTIFIÉES

- > Caractéristiques dimensionnelles (géométrie et épaisseur)
- > Classe de protection anti-corrosion : P2275

Ce certificat comporte 16 pages.
Correspondant : **Direction Baies et Vitrages cb4@qstb.fr**

Par délégation du Président
Florian RASSE

Centre Scientifique et Technique du Bâtiment
84 avenue Jean Jaurès - Champs-sur-Marne - 77447 Marne-la-Vallée cedex 2
Tél. +33 (0)1 64 68 82 82 - Fax +33 (0)1 64 68 99 94 - www.cstb.fr
MARNE-LA-VALLÉE / PARIS / GRENOBLE / NANTES / SOPHIA ANTIPOLIS

MFO S.A.
Kozuski Parcel 70A
96-500 Sochaczew, Poland
T: +48 46 864 09 80
@: mfo@mfo.pl
www.mfo.pl

